


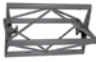
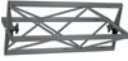

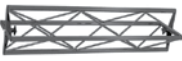












MODUL-XM



Element list

Patent no. 001066500

| | |
|---|--|
|  | Part no. 5031 Cube Weight: 0,600 kg Material: Composite and steel |
|  | Part no. 5032 Connector Weight: 0,050 kg Material: Composite and steel |
|  | Part no. 5001 15 cm module Weight: 0,280 kg Material: Composite and aluminium |
|  | Part no. 5002 30 cm module Weight: 0,460 kg Material: Composite and aluminium |
|  | Part no. 5003 45 cm module Weight: 0,640 kg Material: Composite and aluminium |
|  | Part no. 5004 60 cm module Weight: 0,820 kg Material: Composite and aluminium |
|  | Part no. 5005 75 cm module Weight: 1,000 kg Material: Composite and aluminium |
|  | Part no. 5006 90 cm module Weight: 1,120 kg Material: Composite and aluminium |

| | |
|--|---|
|  | Part no. 5007 105 cm module Weight: 1,360 kg Material: Composite and aluminium |
|  | Part no. 5008 120 cm module Weight: 1,540 kg Material: Composite and aluminium |
|  | Part no. 5009 135 cm module Weight: 1,720 kg Material: Composite and aluminium |
|  | Part no. 5010 150 cm module Weight: 1,900 kg Material: Composite and aluminium |
|  | Part no. 5011 165 cm module Weight: 2,080 kg Material: Composite and aluminium |
|  | Part no. 5012 180 cm module Weight: 2,260 kg Material: Composite and aluminium |
|  | Part no. 5013 195 cm module Weight: 2,440 kg Material: Composite and aluminium |
|  | Part no. 4030 Top clips in-door Weight: 0,005 kg Material: ABS |
|  | Part no. 4031 Bottom clips in-door Weight: 0,005 kg Material: ABS |

